

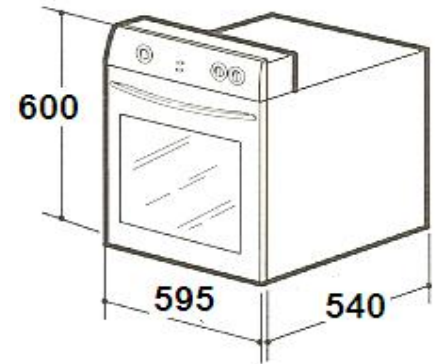
# 60cm Stainless Steel Cooking Pack

DA VINCI



**MODEL: DVFFS60-01**  
**60CM FAN FORCED OVEN**

- 5 cooking functions
- Mechanical timer
- Cooling fan
- Closed door grilling
- Oven inner lamp
- Thermostat control
- Dual glazed door design
- Rigid wire racks with stop function
- Stainless push pull knobs
- Oven volume 58 liters
- Energy efficient class A



**MODEL: ASLC-2**  
**60CM STAINLESS SLIDEOUT**

- 3 speed double motor
- Washable aluminum cassette filter
- Stainless fascia panel



**MODEL: DVZGCS-60**  
**60CM GAS COOKTOP**

- 1 rapid gas burner
- 2 semi-rapid gas burners
- 1 auxiliary gas burner
- Enamel pan supports
- Stainless chrome knobs
- Under knob ignition



**MODEL: WQP12-9011C**  
**60CM DISHWASHER**

- Capacity for 12 place settings
- Manual control
- Stainless steel interior
- Stainless steel door
- 7 washing programs
- 4 washing temperatures
- Powder & rinse agent indicator
- Upper and lower spray arm
- Adjustable upper rack
- Cutlery basket
- Adjustable height legs

**2 YEAR**  
**WARRANTY**

# 60cm Slideout Rangehoods

**MODEL:** ASLC-2



## FEATURES

- " 3 speed double motor
- " Washable aluminium filter
- " Stainless steel fascia panel
- " 2 x 25 watt lamps
- " 480 m3/hr air extraction

## COLOURS

Stainless Steel

**WARRANTY:** 2 Years

## FEATURES

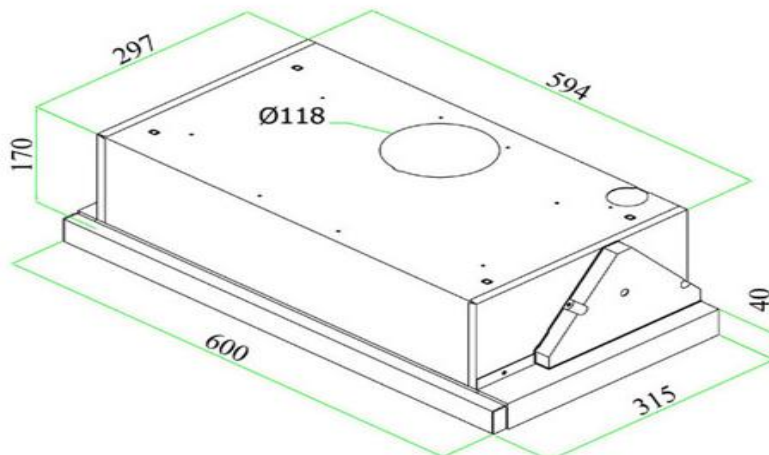
- " 3 speed double motor
- " Washable aluminium filter
- " Stainless steel fascia panel
- " 2 halogen lights
- " 480 m3/hr air extraction

## COLOURS

Stainless Steel

**WARRANTY:** 2 Years

**MODEL:** SLSC.2



## Installation Requirements:

# 90cm Canopy Rangeshods

**MODEL: SORRENTO-90**  
(Also available in 60cm)

**MADE IN ITALY**



## FEATURES

- ~ 90cm stainless steel canopy
- ~ 3 speed
- ~ 155 Watt
- ~ 2 halogen lights
- ~ Push button control
- ~ Washable filters
- ~ Large motor - 650 m3/Hr

## COLOURS

Stainless Steel

**WARRANTY:** 2 Years

## FEATURES

- ~ 90cm stainless steel canopy
- ~ 3 speed
- ~ 155 Watt
- ~ 2 halogen lights
- ~ Push button control
- ~ Washable filters
- ~ Large motor - 650 m3/Hr

**COLOURS:** Stainless Steel

**WARRANTY:** 2 Years

**MODEL: VIETRI-90**

**MADE IN ITALY**

